

Site Layout for High Security Bike Pumps

Minimum Space Requirements

The minimum space requirements for High Security Bike Pumps are meant to allow a cyclist and their bike access to the pump. See figure 1. If a Wheel Chock is installed, it is recommended to place it 6" from the pump. See figure 2.

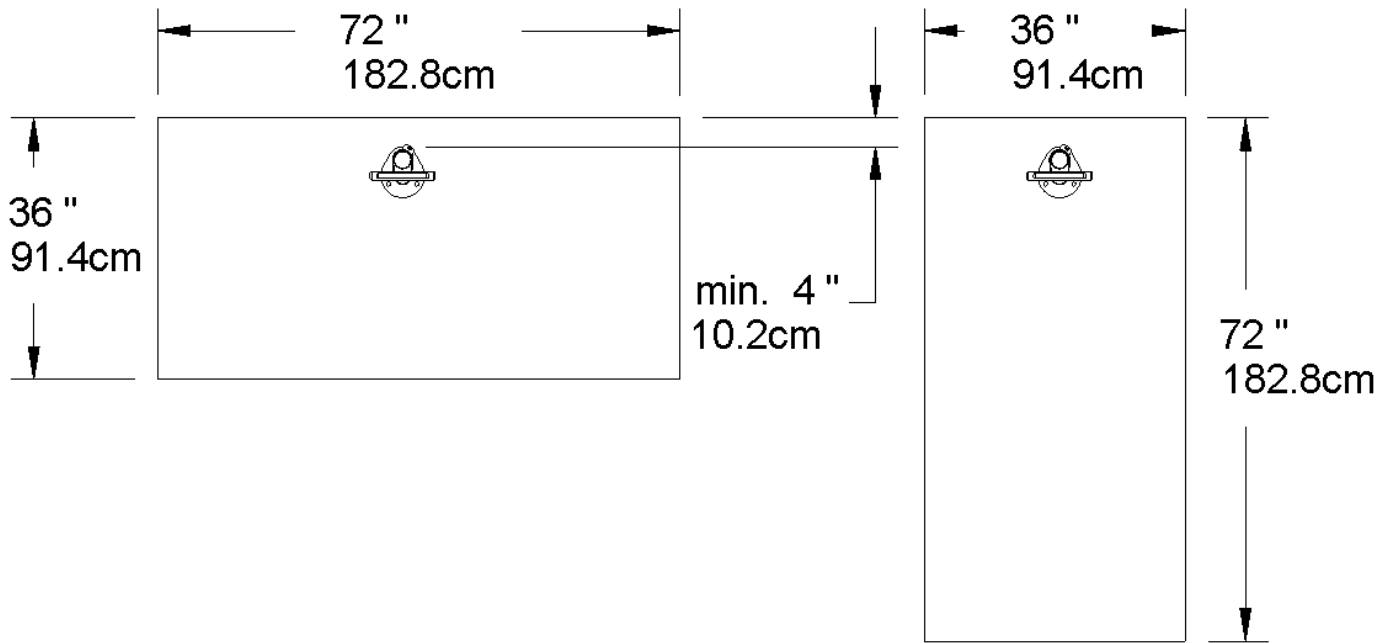


Figure 1: Minimum space requirements

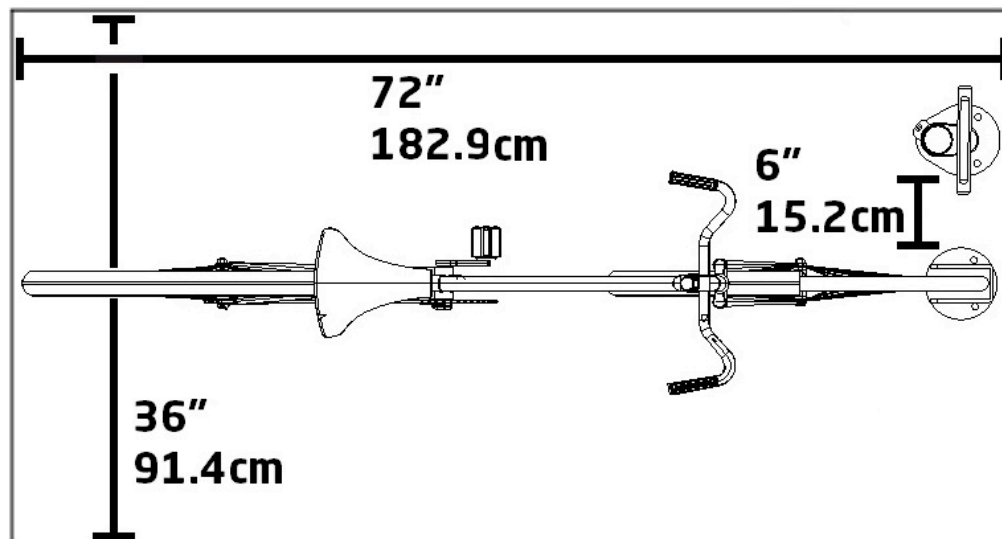


Figure 2: Minimum space requirements with a Wheel Chock

Setbacks

It is recommended that all equipment is spaced a minimum of 60" from an adjoining street or cycle path.

Pad size

If you are pouring a new concrete pad, these are two recommended sizes. Option 1 is 36" x 36" x 4"; option 2 is a 16" diameter cylinder that is 36" long (this is not suitable for pump and wheel chock together). See figure 3.

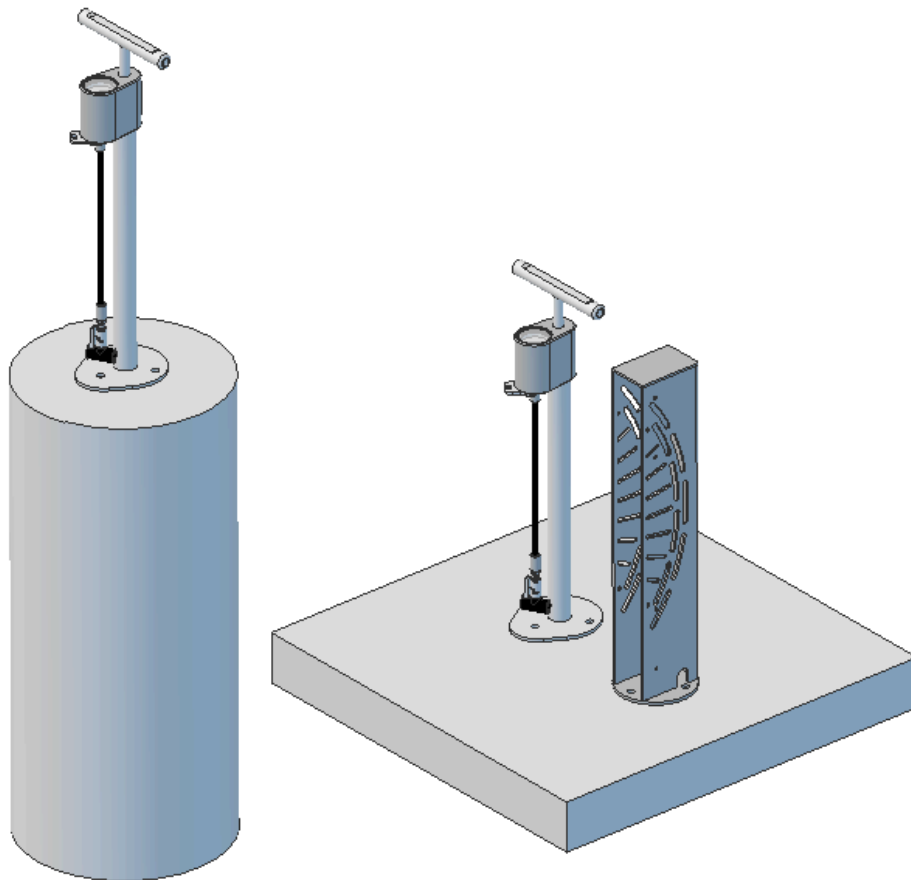


Figure 3: Recommended new pad configurations